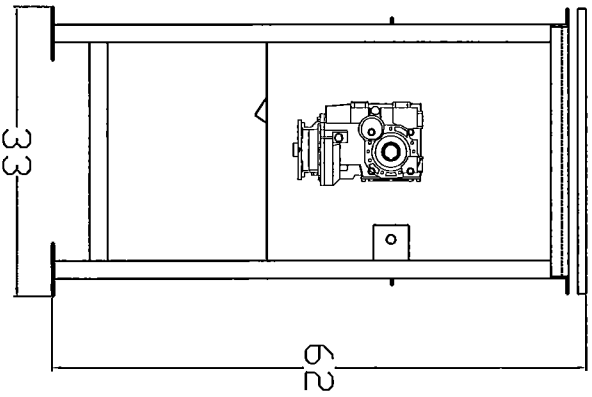
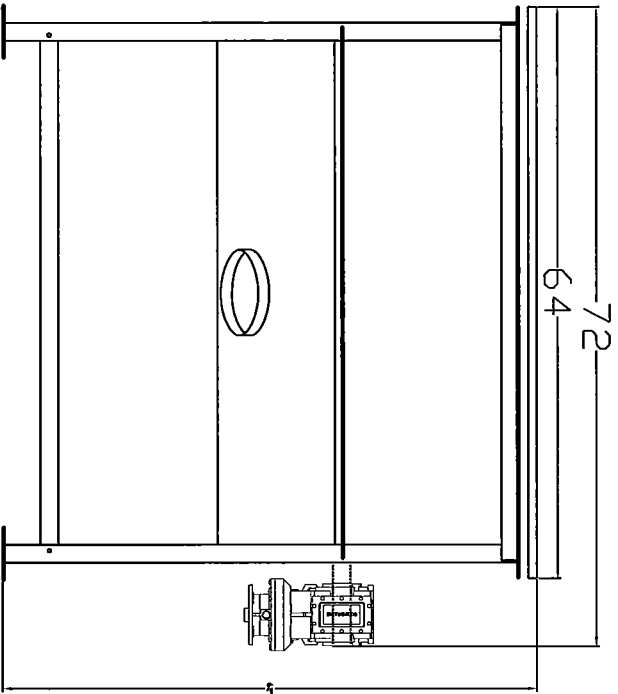


REVISIONS				
ZONE	REV	DESCRIPTION	DATE	APPROVED



PACK MFG. 1219 BELMONT DR. MEMPHISVILLE, TN 37110 TEL. 931-473-9980 FAX 931-473-1604		ALL RIGHTS RESERVED <small>THIS DRAWING AND ITS CONTENTS ARE THE PROPERTY OF PACK MFG. AND ANY REPRODUCTION OR DISTRIBUTION WITHOUT WRITTEN CONSENT IS PROHIBITED.</small>	
MACHINE/PROJECT PA10013		PART DESCRIPTION 1YD MIXER	
QUANTITY 1	SCALE NTS	DWG. NO.	REV A
SHEET 1			