

# SHADE • STAT

MICRO GROW GREENHOUSE SYSTEMS, INC.

## SHADE • STAT

SOLAR K-LUX LEVEL  
SHADE POSITION  
ENERGY MODE

66

SET TIME  
SET SYSTEM  
SET ENERGY  
MODE

Large  
'Easy to  
Read'  
LCD  
Display

Lighted  
Status  
Indicator



VALUE



OPEN

Convenient  
Programming  
with  
Front Panel  
Toggle Switches



ON OFF



AUTO

CLOSE

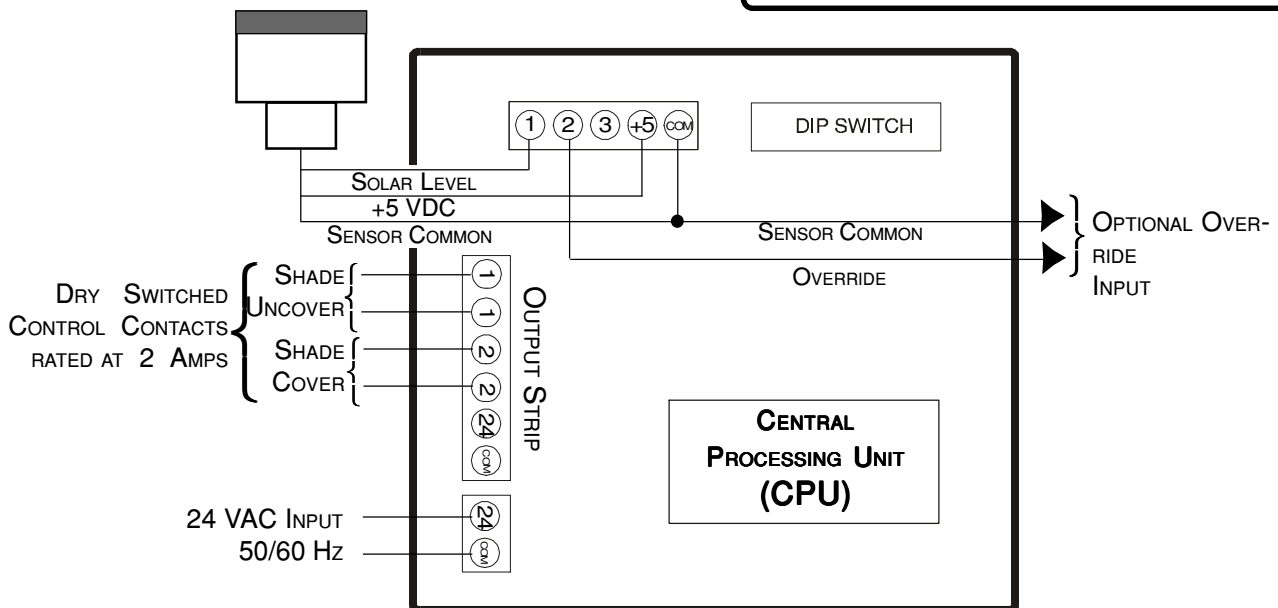
Output Toggle  
Switches for  
Manual/Off/  
Automatic  
Operation

### Shade Stat Features

- Control Greenhouse Shade Curtains in up to 8 Stages
- Monitors Outdoor Solar Level Adjusting Shade to Your Settings
- Energy Curtain Feature with Night Detection Mode

### Shade Stat Specifications

- Solar Klux Level Accuracy 20%
- " Liquid Crystal Display
- Internal Timed Staging
- User Selectable Differential
- Clear Cover Weatherproof Enclosure 5.25" x 6.5" x 4.5" (133mm x 165mm x 114mm)
- 24VAC Low Voltage Operation, 50/60 Hz
- Control Contacts rated at 2 Amps



**MICRO • GROW**  
GREENHOUSE SYSTEMS, INC.

26111 Ynez Road, C-4 ♦ Temecula, CA 92591 ♦ U.S.A.  
Phone 951.296.3340 ♦ Fax 951.296.3350  
[www.microgrow.com](http://www.microgrow.com)