

Instructions for Installing and Operating Universal Diverter.

This diverter fits both 2"x3" and 3"x4" downspouts.

Equipment Needed: Standard handsaw, measuring tape, screw driver, pencil.

Caution: You are advised before starting any work to wear gloves and use safety glasses when installing the diverter.

Parts List: Diverter body + lid, plug for feeder hose exit, 20" feeder hose.

Options: If you wish to divert rain water to additional areas around the house such as pool or pond, attach a garden hose to the second, top, outlet on the diverter. The factory setting here is covered, this is easily pushed out with a finger or pen.

Connection:

Marking place on Down Pipe – Level and Stabilize the area that you place rain barrel on, it should be near desired downspout. It is recommended that you fill rain barrel with a few inches of water from your hose first to check position and stability. To install your water diverter at the proper height the diverter should be installed at the same level in relation to the rain barrel hose connector (A+B). Not any higher whereby the rain barrel will overflow or lower whereby the rain water will not get to the barrel. Once you have decided on the correct place and height mark the point on the down pipe with your pencil.

1. Cutting the Down Pipe

Mark your downspout for two saw cuts. The first cut should be at the same height as rain barrel hose connector, the second cut should be 1.5" above the first cut of the downspout.

2. Attach water diverter. If you have a 3"x4" downspout the lid is not used. If you have a 2"x3" downspout, use the lid to cover up the extra top area. If you have a 3x4" downspout the lid may be discarded. With arrow pointing up push diverter onto downspout until it stops (C). Take lower half of the downspout and push upwards into the bottom of diverter (D).

If you loosened the down pipe from the house, you should now reconnect it. If you find the diverter is loose, you may insert a size 8 screw (G)

Connecting outlets.

Your Diverter has 2 water outlets:

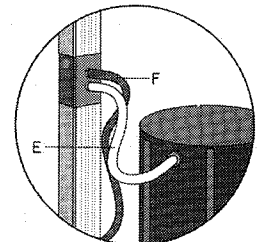
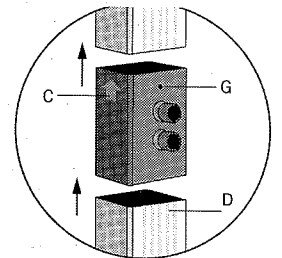
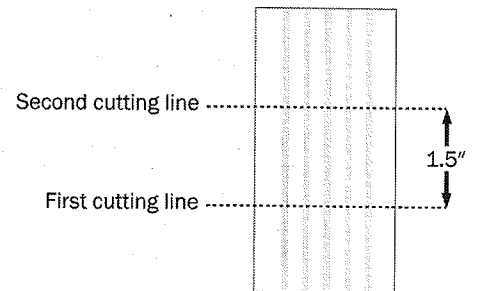
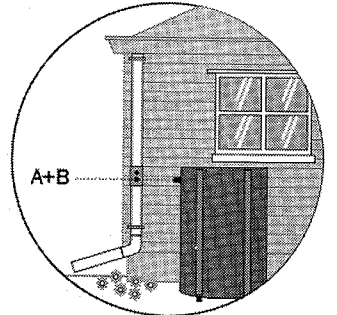
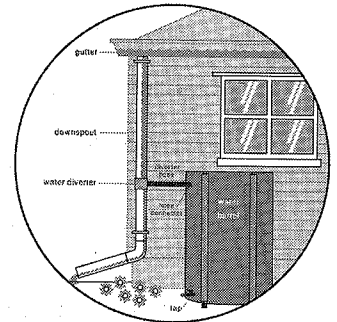
Lower Outlet is for the black feeder hose (included) between diverter and your water barrels overflow connection.

Remove overflow plug and connect black hose.

Upper Outlet is for a standard garden hose, this may be opened if this extra outlet is desired and easily connected.

Your product is now ready to use.

Off Season Storage: Your connection kit comes with a plug, to close off the diverter when rain barrel is stored away in the off season.



Warnings

1. Check downspout does not contain heating cables as potential electrocution or fire hazard during installation.
2. Use rain barrel water only for watering plants or outdoor cleaning uses.
3. Never allow children to play in, or around your rain barrel.

Caution:

