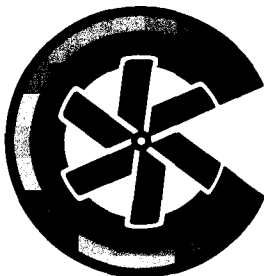
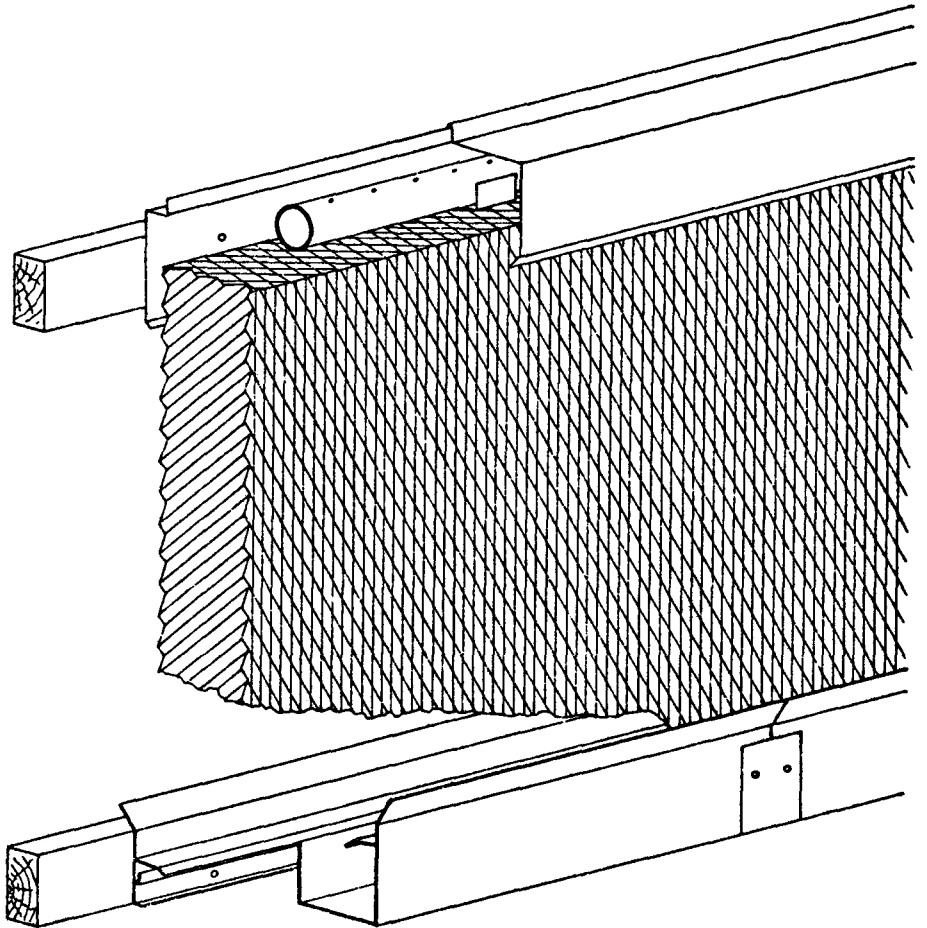


INSTALLATION AND OPERATION

INSTRUCTIONS FOR COOLAIR'S

EVAP-PAD COOLING SYSTEM



Coolair[®]

AMERICAN COOLAIR CORPORATION

Box 2300

Jacksonville, Fla. 32203

Phone: 904/389-3646

FAX 904/387-3449

Telex 56529

TABLE OF CONTENTS

	PAGE
I. CONCEPT OF EVAPORATIVE COOLING2
II. RECOMMENDED TOOLS3
III. PARTS LIST3
IV. PAD LOCATION IN BUILDING
V. INSTALLATION PROCEDURES
VI. START UP PROCEDURE13
VII. OPERATION INSTRUCTIONS16

I. CONCEPT OF EVAPORATIVE COOLING

To offset periods of extreme temperature that affect the in-house environments, and therefore production, Coolair evaporative cooling systems are used with outstanding success. The benefits of evaporative pad cooling are obtained by moving large quantities of air through water-saturated pads. The resulting evaporation of water will lower the air temperature 10 to 25 degrees. This method of cooling can provide dependable relief from heat stresses in periods of hot weather. Suited for all geographic locations, a Coolair Evap-Pad System delivers the greatest economic benefits in areas where higher temperatures during longer periods of time are normal.

II. RECOMMENDED TOOLS

The following is a list of tools required for the installation of your Coolair Evap-Pad System.

Tape Measure

Chalk Line

Level

Drill with 5/32" Drill Bit

3/8" and 5/16" Sockets and Drive

Hack Saw

Caulk Gun

Screwdriver

Tin Snips

III. PARTS LIST

A. Your Coolair Evap-Pad System consists of:

1. A water distribution and return system complete with the correct number of the following parts.

Distribution Pipe

Female Adapter

End Plugs

Distribution Pipe Tee

PVC Pipe Cement

Trough

Trough Hangers

Trough Connectors

Trough End Caps

Pipe Cover Back Plate

Pipe Covers

Pipe Supports

Pipe Cover End Caps

Misc. Screws

2. A Plumbing Kit

3. Evaporative Cooling Pads

4. Sump Pump

B. Parts required for the Evap-Pad System, but that are not supplied by Coolair consist of:

1. Framing Materials

2. Sump Tank, Sump Drain and Sump Cover

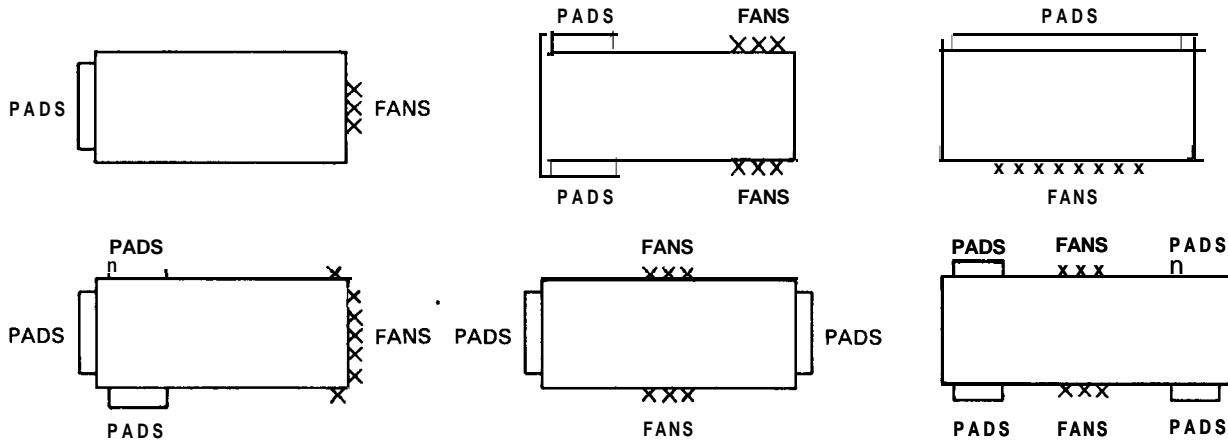
3. Return Pipe from Trough Drain to Sump

4. Water Supply to Float Valve

IV. PAD LOCATION IN BUILDING

For greenhouse applications, the pads' midpoint should be centered on the crops to be cooled. The pads should be located on one end of the building and the fans on the other end, except in wide greenhouses where the pads should be on one side and the fans on the opposite side.

For poultry or livestock applications, the top of the pads should be at the highest level at which cooling is desired. The pads should be located on one end or side of the building, with the fans on the opposite end or side. The air should be drawn the length of the building except in cases where the resulting air velocity exceeds the comfort level for the animals being housed. In these cases, the pads should be on both sides at both ends of the house, with the fans on both sides in the middle.



Many other designs are acceptable. Contact your Coolair representative for recommendations.

V. INSTALLATION PROCEDURES

The desired opening should be, the ordered pad length by the ordered pad height minus 2". For example, if you ordered a 45' system which is 5' high, then your opening would be 45' x 48". See Figure 1. This opening should be framed by 2 x 6 stringers minimum, made of water resistant wood. When fastened to a metal building or greenhouse, the opening should be framed with angle or Z support of sufficient strength to support a maximum of 20 pounds per linear foot of pad with 4" pad or 30 pounds per linear foot of pad for 6" pad systems.

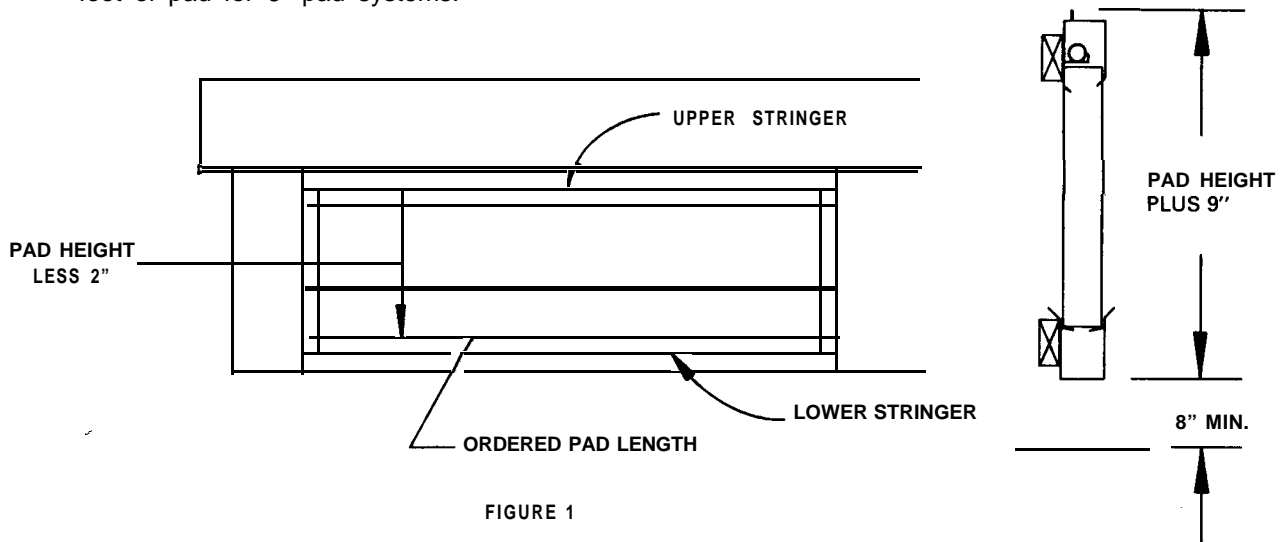
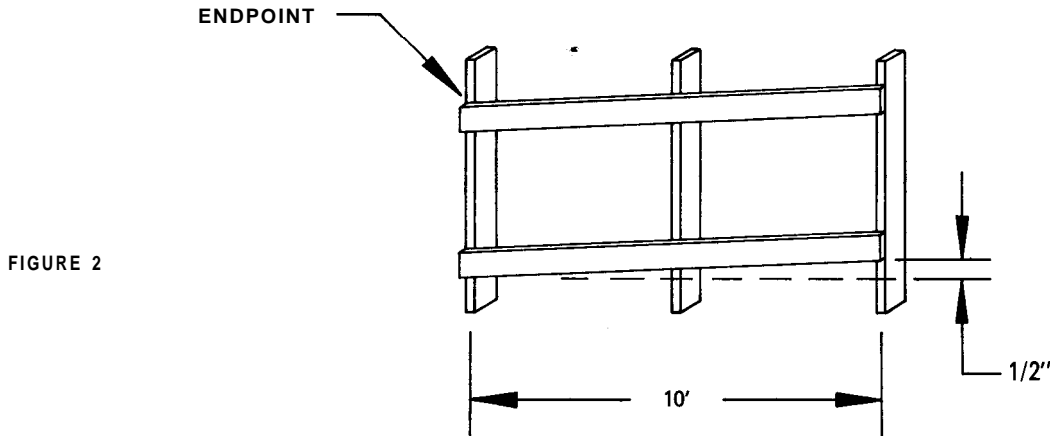


FIGURE 1

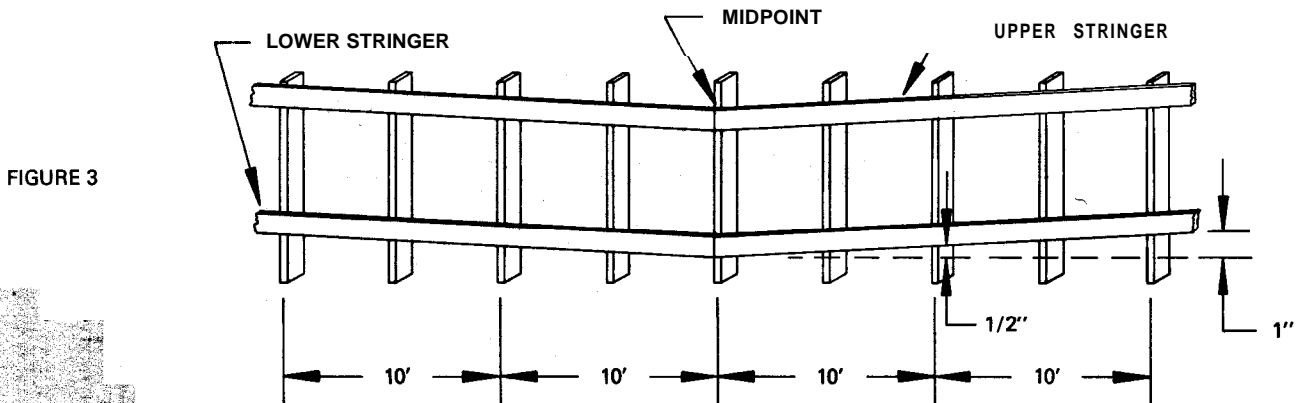
A. Installation of Upper and Lower Stringers - 5 to 25 Foot Systems

Locate the Evap-Pad System vertically as determined by the specific use of the system. On 5 to 25 foot systems, it is recommended that the sump be located at one end of the system. The bottom of the lower stringer should be placed a minimum of 8" above any obstructions. This space needs to be available to be used for piping to the sump. Determine a level line and at the end opposite where the sump will be, raise the end of the chalk line 1/2" for every 10 feet of system length. Using a chalk line, mark each stud and install the lower stringer. The upper stringer should parallel the lower stringer. The spacing between the two stringers should be pad height minus 2". See Figure 2.



B. Installation of Upper and Lower Stringers - 30 to 110 Foot Systems

First locate the midpoint of your Evap-Pad System. This is the ordered pad length divided by 2. Locate the Evap-Pad System vertically as determined by the specific use of the system. The bottom of the lower stringer should be placed a minimum of 8" above any obstructions in the center of the pad system. This space needs to be available to be used for piping to the sump. Determine the level line on each side of the midpoint to the ends. At each end of the system, raise the end of the chalk line 1/2" for every 10 feet of system length from the midpoint. (Example: An Evap-Pad System with a total length of 50 feet would drop 1-1/4" from the end to the midpoint). Using a chalk line, mark each stud and install the lower stringer. The upper stringer should parallel the lower stringer. The spacing between the upper and lower stringers should be pad height minus 2". See Figure 3.



C. Installation of the Middle Stringer

When 5, 6, 7 or 8 foot pads are used, it is necessary to install a 1 x 4 middle stringer. This stringer should parallel the other stringers. For 5 or 6 foot pads, the middle stringer should be halfway between the upper and lower stringers. For 7 or 8 foot high pad systems, position the middle stringer 51" from the top of the lower stringer to the top of the middle stringer. See Figure 4.

PAD HGT.	5'	6'	7'	8'
'A'	33"	39"	51"	51"

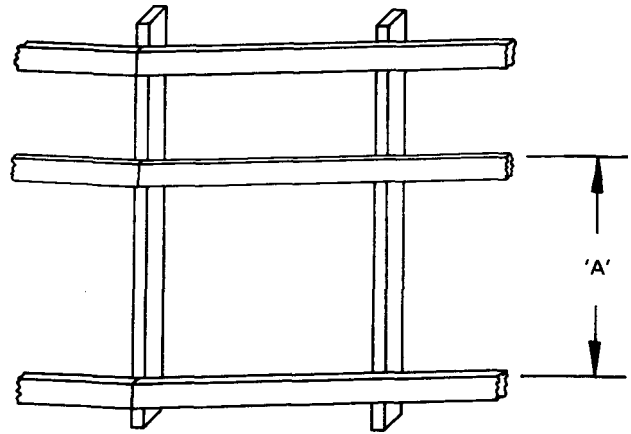


FIGURE 4

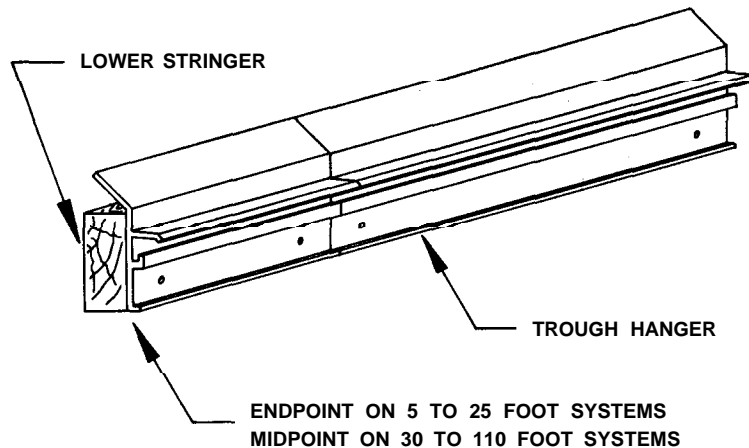
D. Installation of the Trough Hanger

The trough hanger is to be mounted with its anglebreak flush with the top edge of the lower stringer. Secure it to the stringer using the 1/4" x 1-1/2" lag bolt. See Figure 5.

If the system is 5 to 25 feet long, install the appropriate section of trough hanger starting at the end of the system.

If the system is 30 to 110 feet long, install a 5 or 10 foot section of trough hanger with the end of the trough hanger at the midpoint of the system. Install the trough hanger so that the joints in the trough hanger and the trough are staggered and do not fall at the same spot.

FIGURE 5



Next proceed to mount the rest of the trough hanger sections to the lower stringer, butting them against the previously installed piece.

E. Assembly of the Downspout and End Cap Sections

Locate the 1 foot long trough section (with downspout hole). The downspout is to be assembled to this trough section. Find the 2" PVC female adapter and the two 2" steel nuts. Thread the 2" sealing nut approximately one-half inch onto the threaded part of the female adapter. Place the 1 foot long trough section on top of the installed nut. Next thread the second nut onto the female adapter. See Figure 6. Additional caulking around the joint is recommended.

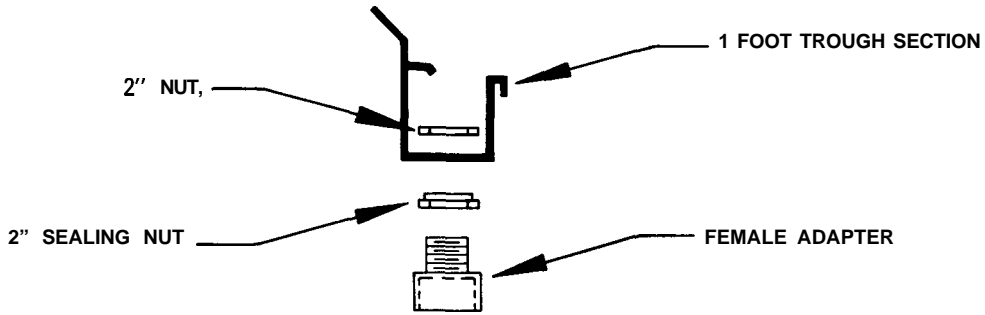


FIGURE 6

On 5 to 25 foot systems, the downspout and therefore the sump can be located at one end of the system.

Install the end caps in either the one foot downspout section for one end of the short systems or in the trough ends of systems with downspout in the middle. Using a drill with a $\frac{5}{16}$ " socket and 10-16 x $\frac{3}{4}$ self drill screws, install 3 screws to hold end caps in the trough. Place one screw centered in the bottom of the trough $\frac{3}{8}$ " from the edge. The front and back screws should be 2" from the bottom, $\frac{3}{8}$ " from the edge. See Figure 7. Caulk the end caps liberally.

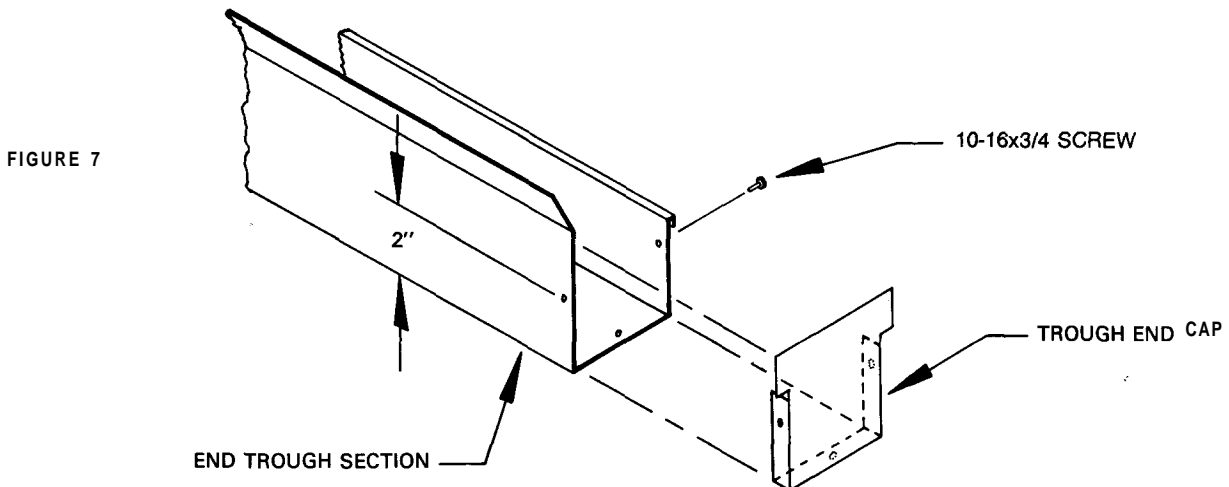


FIGURE 7

F. Installation of the Trough

Hang a piece of trough on the trough hanger next to the downspout section. The joints in the trough hanger should be offset from the joints in the trough. Find the trough connectors, they are U shaped aluminum strips. Caulk the trough joint liberally, place the trough connector over the trough joint with the long side of the connector on the outside of the trough. Using 10-16 x 3/4" self drill screws, place two screws 3" from the bottom of the trough, one in each piece of trough. Also drill two screws in the trough bottom one in each piece, 1" from back of trough. Repeat for each trough joint.

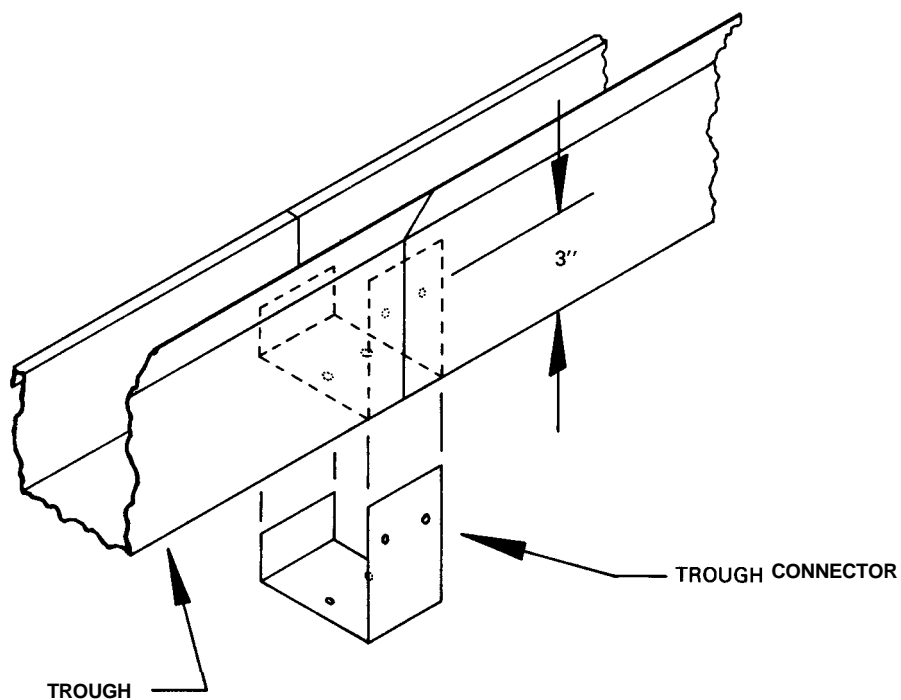


FIGURE 8

G. Installation of the Pipe Cover Back Plate and Pipe Support

For ease of installation, mark a point 1-1/2" up from the bottom of the top stringer. Do this at the midpoint and both ends of the system. Next mark a chalk line through the three points. This indicates the location of the pipe cover back plate mounting holes. Sight through the prepunched mounting holes in the back plate and line up the chalk line through them. This puts the support at the correct mounting height. Secure in place using the rubber grommeted lag bolts. See Figure 9.

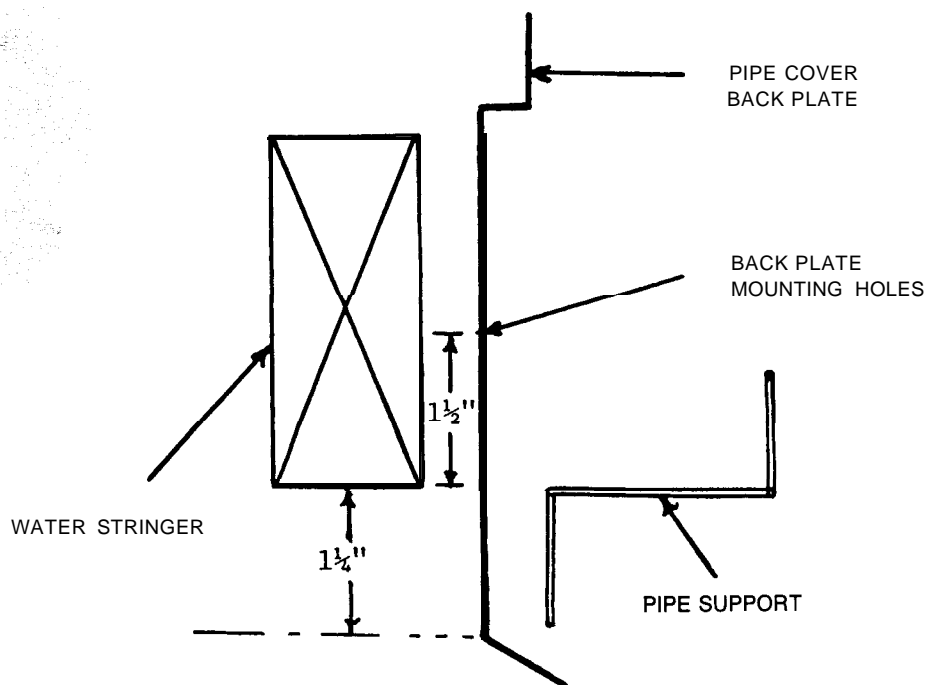


FIGURE 9

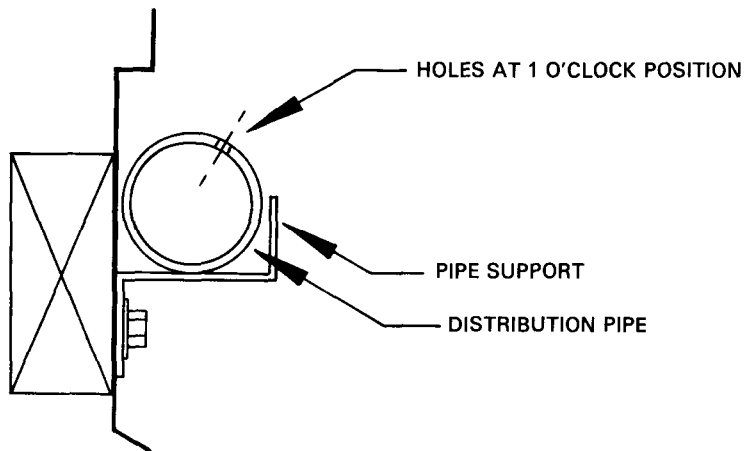
Install the pipe support bracket on the pipe cover back plate using the holes provided, one support bracket per 5' back plate. See Figure 9.

Install the pipe cover back plate and pipe supports for the entire length of the system. Caulk the joints between all back plates to help prevent water leaking to the stringer.

H. Installation of the Distribution Pipe

To install the pipe, place a 10 foot section on top of the pipe support with the metered holes pointing at approximately the 1 o'clock position when viewed from the end. See Figure 10. This position is necessary to provide proper water distribution. The 1-1/2 PVC Tee should be placed directly above the pump. The connections do not need to be cemented, but should be pushed together tightly. Continue joining pipe sections together using couplings.

FIGURE 10



When the pump is on the end of a short system, use a 1-1/2" piece of pipe on the other side of the tee and cement the female adapter to the end of the pipe. Screw the end plug into the female adapter. Systems with the pump in the middle, add pipe to the tee in the opposite direction as listed above. See Figure 11.

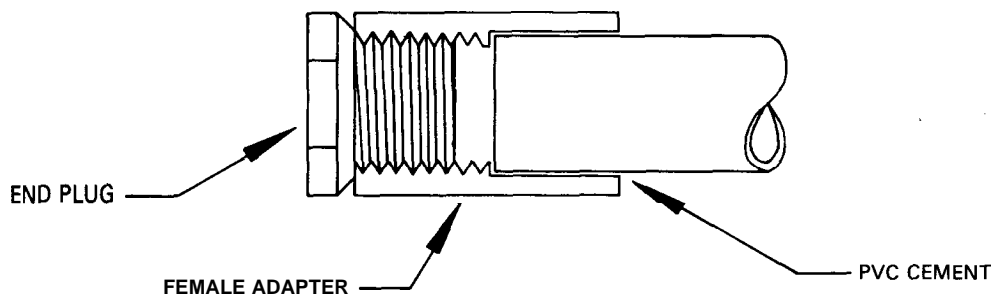


FIGURE 11

I. Pad Installation

The evaporative cooling pads can now be placed onto the assembled trough.

If the system is 5 or 6 feet tall, then a pad retainer is used to prevent the pads from bowing. Place a pad into position on the trough. Set the U-shaped end of the pad retainer over the middle stringer. Next, slide it onto the pad. Now install the next pad and install another pad retainer. Continue until the system is complete.

If the system is 7 or 8 feet tall, then a pad retainer is used at each intersection of four pads to prevent them from separating. Place a bottom pad (4 ft. tall) into position on the trough. Next, set the top pad on top of the bottom pad. Slip a pad retainer onto the middle stringer and slide it over the joint of the two pads. Now install two more pads, sliding them into the rings of the already installed pad retainer. Repeat this procedure for the entire length of the system. See Figure 12.

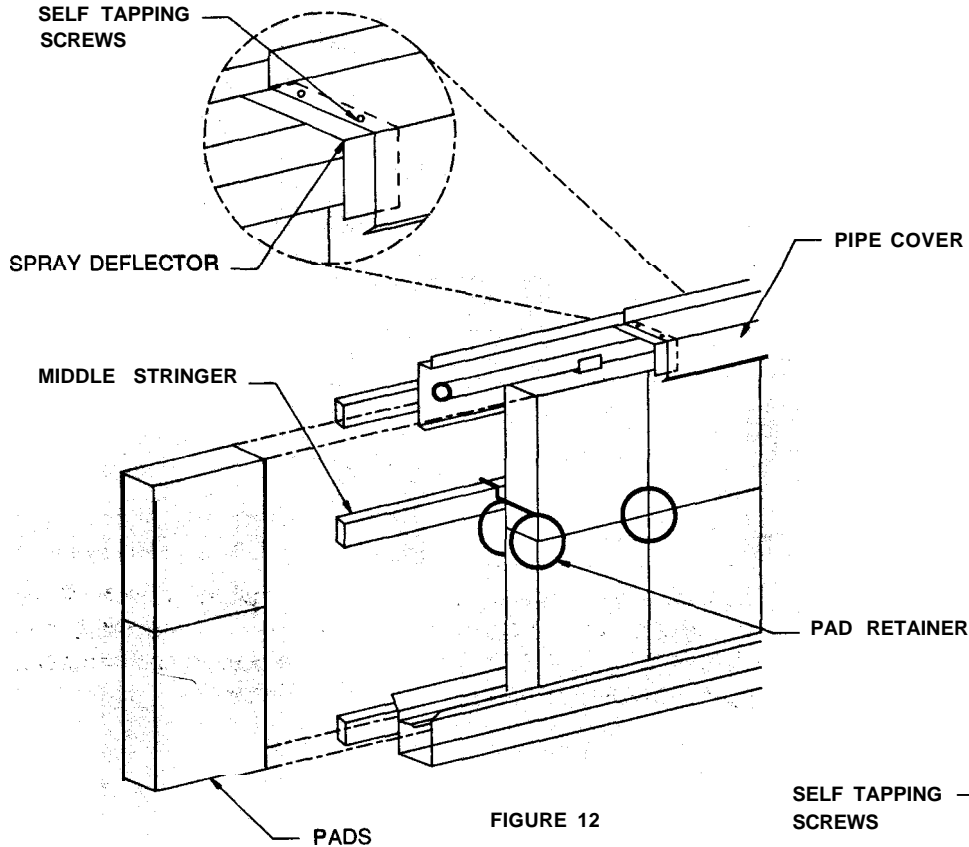


FIGURE 12

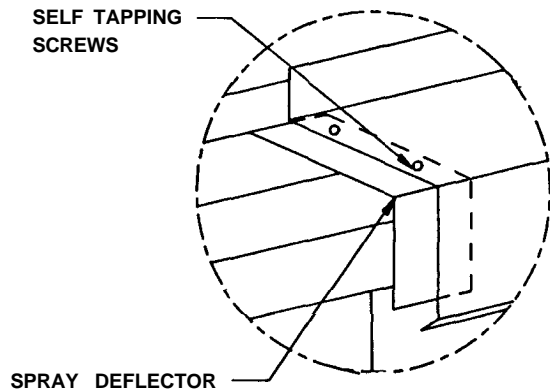


FIGURE 13

J. Pipe Cover Installation

In the pipe distribution parts kit, you will find several L shaped pieces of aluminum. These are the spray deflectors to be fastened onto one end of the pipe covers. See Figure 13. Fasten these spray deflectors on the pipe cover with two of the self drill screws provided. The spray deflectors lap the joint of the pipe covers to prevent water leakage as the water sprays up against the cover. The pipe covers are installed by slipping them onto the top flange of the back plate. With a pair of vise grips, close the doubled flange on the pipe cover at least three places to obtain the desired tension when placed over the back plate flange. It will be necessary to cut a slot out of the pipe cover at the water supply tee. Care should be taken to not cut a slot any larger than necessary at the tee to prevent the spillage of water from the system. See Figure 14.

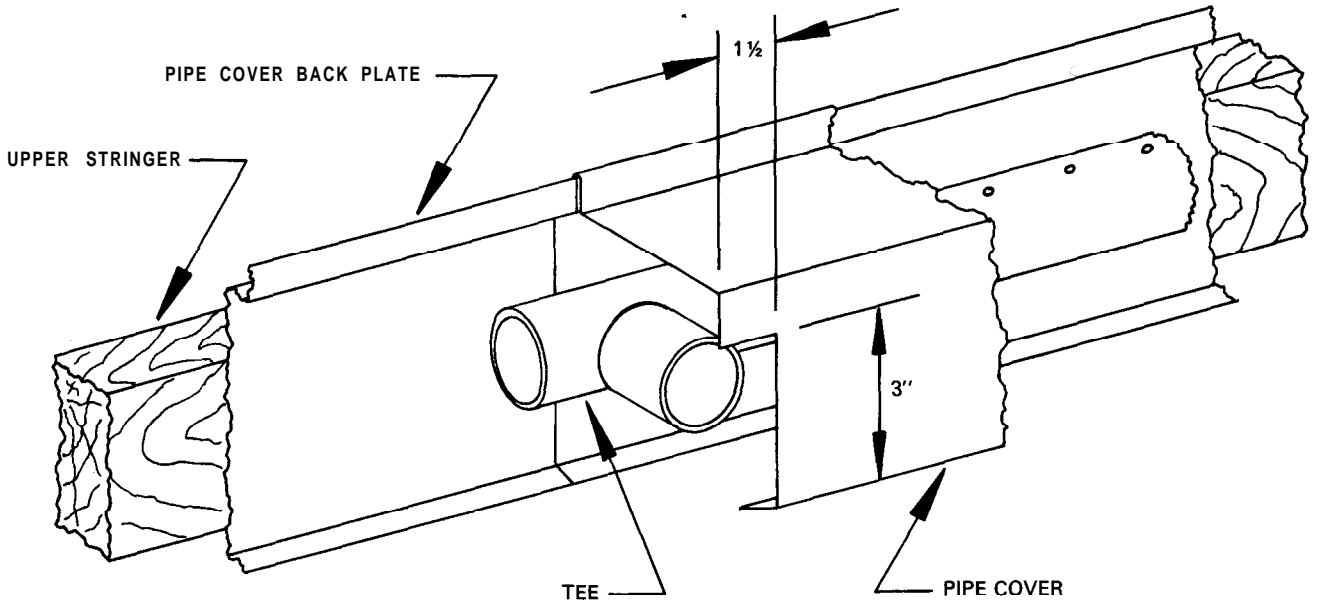


FIGURE 14

Next the pipe cover end caps are to be installed. Holes must be cut in the end caps in order for them to sit flush with the end of the pipe cover. Place the end cap on the upper stringer at the end of the distribution pipe. Mark on the end cap where this pipe is to go through. Using tin snips, cut a hole in each end cap and mount them to the upper stringer using rubber grommets lag bolts. See Figure 15.

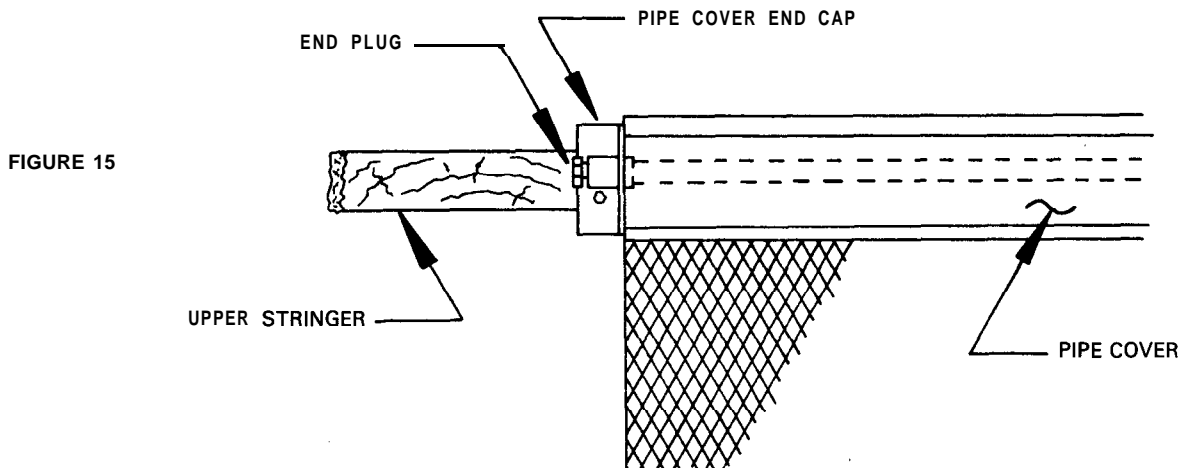


FIGURE 15

K. installing the Sump, Pump and Piping

Sump:

Locate the sump directly under the tee, the distribution pipe and the water return downspout. The sump should have a drain plug so it can be cleaned periodically. The sump capacity should be $\frac{3}{4}$ gallon for each square foot of pad area. Place the water control valve and the strainer a **minimum** of 3 feet above the discharge side of the pump. On the intake side of centrifical pumps, a minimum of 2 feet of straight pipe is necessary for proper operation. The low water operating level should be at least 2" above the pump suction inlet. The sump should be provided with a cover to keep out windblown dirt and debris. A medium mesh screen should be placed over the return water outlet. Clean periodically when needed. See Figure 16 & 17.

Pump:

Operation and maintenance instructions are packed with each pump. For Evap-Pad Systems longer than 110 feet for 4" systems and 90 feet for 6" systems use two pumps and water distribution systems.

Piping:

Use the pipe sizes recommended in Figure 16 & 17 for an adequate supply of water for the system. Glue all PVC fittings from the pump to the tee in the water distribution system.

VI. START UP PROCEDURE

Remove the end plugs in the distribution pipe. Prime the pump per the instructions included with the pump. Next close the flush out valve and open the shut off valve. Turn pump on and let it run for a few minutes to flush out any debris that has accumulated in the system. Turn pump off and replace the end plugs. Turn pump on and remove the last pipe cover. The water should be squirting up 3-4 inches. Adjust the shut off valve until the proper flow is achieved. Check the complete length of the distribution pipe to be sure that none of the holes are plugged. Use a piece of wire to unplug any holes that need it.

To insure that you are getting the best performance from your system, check to be sure that the entire pad is getting wet. Also, make sure that the pads fit tight, not allowing any air to leak around them.

When first starting the system, it sometimes takes several hours of operation for the pads to become completely wet. After the initial wetting, the pads should wet in a few minutes. Complete pad wetting may also be a problem due to dust accumulating after the pads have been dry for several months.

The initial wetting can be aided by spraying water on the pad with a garden hose and also flooding the pads with excess water for the first hour. After the pads become wet the first time turn the water down by use of the volume control valve until the water comes down the pipe in a soaking action and not a stream flooding down the pad.

FIGURE 16

