

INSTALLATION INSTRUCTIONS

summer-winter switch electric unit heaters

APPLICATION

To allow a choice of fan operation of the electric unit heater for heating and/or ventilation, a summer-winter toggle switch kit is available for field installation. In the winter position the thermostat will cycle the fan on and off with the heating elements. In the summer position the fan runs continuously for ventilation while the heating elements are controlled by the thermostat. Toggle switch rating is 15 amperes at 125 volts, 10 amperes at 250 volts, or up to 3/4 hp at 125-250 volts.

Components of this kit include:

- Wire nut (4)
- Conduit box (1)
- Toggle switch (1)
- Switch plate cover (1)
- Label, Summer / Winter positions

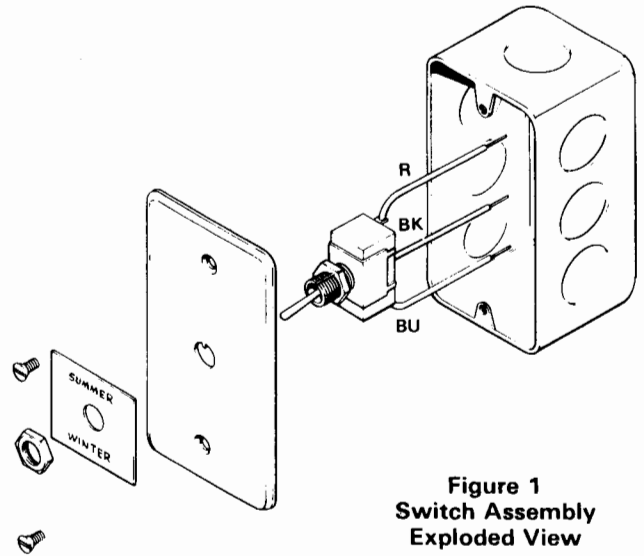


Figure 1
Switch Assembly
Exploded View

INSTALLATION

Models HE50 thru HE250

DISCONNECT POWER SUPPLY BEFORE ENTERING ELECTRICAL JUNCTION BOX.

Assemble switch as illustrated in Figure 1. Open bottom panel of unit heater. Follow Figure 2 to complete wiring.

1. Remove fan motor lead from terminal C on control terminal block and attach lead to black toggle switch lead with wire nut provided.
2. Connect blue toggle switch lead to terminal A on control terminal block.
3. Connect red toggle switch lead to terminal B on control terminal block.
4. Connect line voltage thermostat to blue and red leads at toggle switch.
5. Check for proper operation. In winter position the fan and elements will be energized by raising the thermostat setting. Allow unit to warm up the area, then switch to summer position. The fan will continue to run and elements will be de-energized.

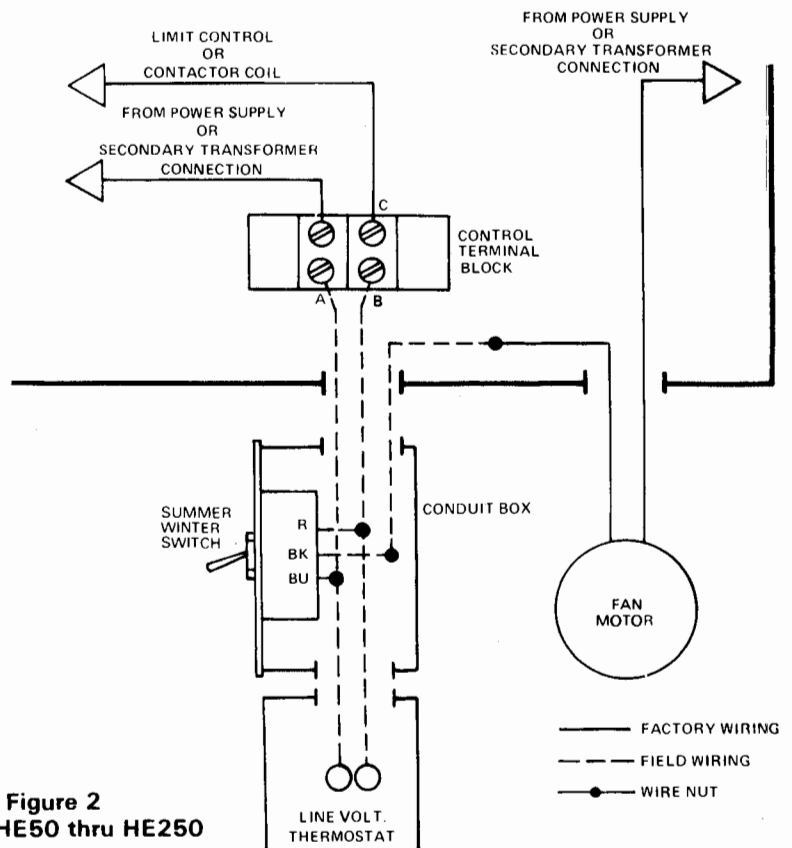


Figure 2
Models HE50 thru HE250

2-511.3 SUMMER-WINTER SWITCH

INSTALLATION

Models VE50 thru VE250

DISCONNECT POWER SUPPLY BEFORE ENTERING ELECTRICAL JUNCTION BOX.

Assemble switch as illustrated in Figure 1. Open power junction box to unit. Follow Figure 3 to complete wiring.

1. Remove fan motor lead from terminal C on control terminal block and attach lead to black toggle switch lead with wire nut provided.
2. Connect the blue toggle switch lead to terminal A on the control terminal block.
3. Connect the red toggle switch lead to terminal B on the control terminal block.
4. Connect line voltage thermostat to blue and red leads at toggle switch.
5. Check for proper operation. In winter position the fan and elements will be energized by raising the thermostat setting. Allow unit to warm up the area, then switch to summer position. The fan will continue to run and elements will be de-energized.

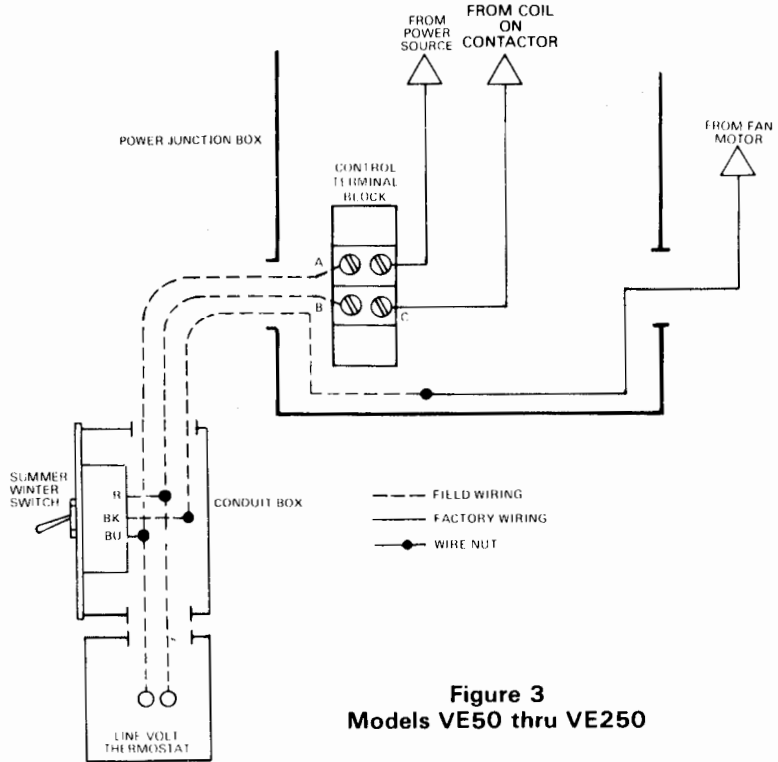


Figure 3
Models VE50 thru VE250

INSTALLATION

Models VE300, VE400, VE500
Models PTE300, PTE400, PTE500

DISCONNECT POWER SUPPLY BEFORE ENTERING ELECTRICAL JUNCTION BOX.

Assemble switch as illustrated in Figure 1. Open power junction box to unit. Follow Figure 4 to complete wiring.

1. Remove fan motor lead from terminal B on control terminal block and attach lead to black toggle switch lead with wire nut provided.
2. Connect blue lead on toggle switch to terminal C on the control terminal block.
3. Connect red lead on toggle switch to terminal L on the control terminal block.
4. Connect line voltage thermostat to blue and red leads at toggle switch.
5. Check for proper operation. In the winter position the fan and elements will be energized by raising the thermostat setting. Allow unit to warm up the area. Then switch to summer position. The fan will continue to run and the elements will be de-energized.

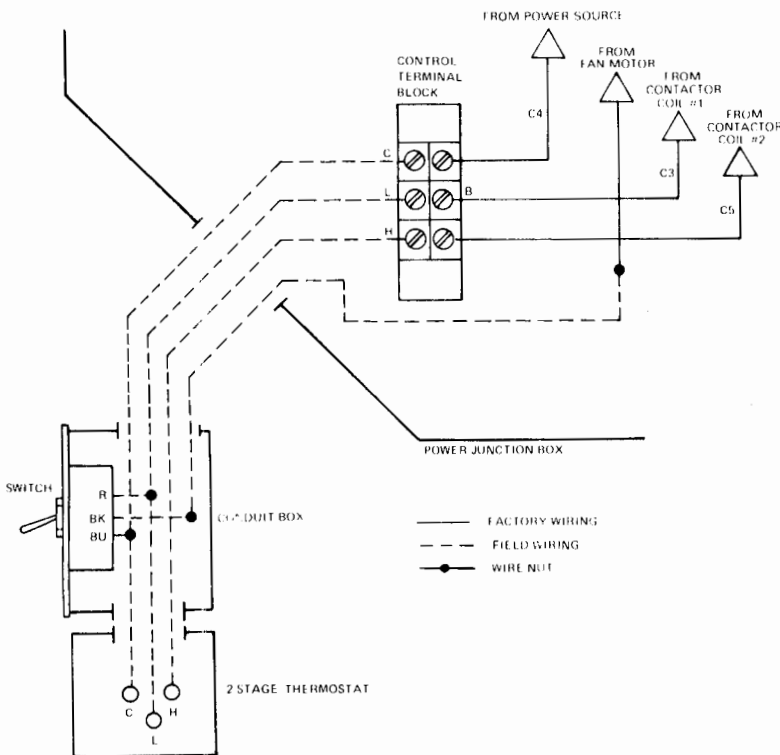


Figure 4
Models VE300, VE400, VE500
Models PTE300, PTE400, PTE500